

MN 2015 RESIDENTIAL CODE SECTION R310, EMERGENCY ESCAPE AND RESCUE OPENINGS.

R310.1 Emergency escape and rescue required. Basements, habitable attics, and every sleeping room shall have at least one operable emergency escape and rescue opening. Where basements contain one or more sleeping rooms, emergency egress and rescue openings shall be required in each sleeping room, but not be required in adjoining areas of the basement. Where emergency escape and rescue openings are provided they shall have a sill height of not more than 44 inches (1118 mm) measured from the finished floor to the bottom of the clear opening. Where a door opening having a threshold below the adjacent ground elevation serves as an emergency escape and rescue opening and is provided with a bulkhead enclosure, the bulkhead enclosure shall comply with Section R310.3. The net clear opening dimensions required by this section shall be obtained by the normal operation of the emergency escape and rescue opening from the inside. Emergency escape and rescue openings with a finished sill height below the adjacent ground elevation shall be provided with a window well in accordance with Section R310.2. openings shall open directly into a public way, or to a yard or court that opens to a public way.

R310.1.1 Minimum opening area. All emergency escape and rescue openings shall have a minimum net clear opening of 5.7 square feet (0.530 m²). Exception: Grade floor openings shall have a minimum net clear opening of 5 square feet.

R310.1.2 Minimum opening height. The minimum net clear opening height shall be 24 inches

R310.1.3 Minimum opening width. The minimum net clear opening width shall be 20 inches

R310.1.4 Operational constraints. Emergency escape and rescue openings shall be operational from the inside of the room without the use of keys or tools.

R310.2 Window wells. The minimum horizontal area of the window well shall be 9 square feet (0.9 m²), with a minimum horizontal projection and width of 36 inches (914 mm). The area of the window well shall allow the emergency escape and rescue opening to be fully opened. Window wells required for emergency escape and rescue shall have horizontal dimensions that allow the door or window of the emergency escape and rescue opening to be fully opened. Exception: The ladder or steps required by Section R310.2.1 shall be permitted to encroach a maximum of 6 inches (152mm) into the required dimensions of the window well.

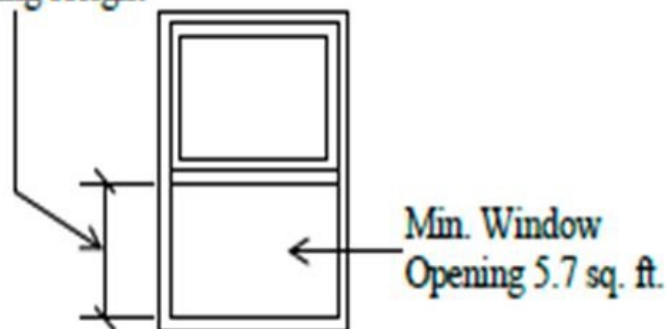
R310.2.1 Ladder and steps. Window wells with a vertical depth greater than 44 inches (1118 mm) shall be equipped with a permanently affixed ladder or steps usable with the window in the fully open position. Ladders or steps required by this section shall not be required to comply with Sections R311.7 and R311.8. Ladders or rungs shall have an inside width of at least 12 inches (305 mm), shall project at least 3 inches (76 mm) from the wall and shall be spaced not more than 18 inches (457 mm) on center vertically for the full height of the window well.

R310.3 Bulkhead enclosures. Bulkhead enclosures shall provide direct access to the basement. The bulkhead enclosure with the door panels in the fully open position shall provide the minimum net clear opening required by R310.1.1. Bulkhead enclosures shall also comply with R314.9.

R310.4 Bars, grills, covers and screens. R310.4 Bars, grilles, covers and screens. Bars, grilles, covers, screens or similar devices are permitted to be placed over emergency escape and rescue openings, bulkhead enclosures, or window wells that serve such openings, provided the minimum net clear opening size complies with Sections R310.1.1 to R310.1.3, and such devices shall be releasable or removable from the inside without the use of a key, tool, special knowledge or force greater than that which is required for normal operation of the escape and rescue opening.

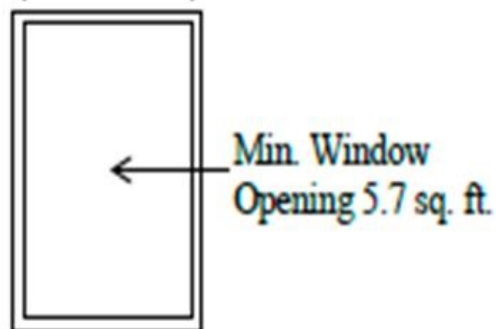
Egress Windows

24" Min. Clear
Opening Height



Double-Hung

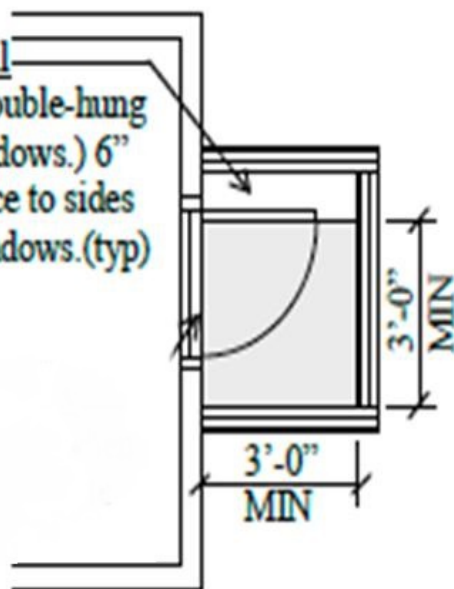
20" Min. Clear
Opening Width



Casement

NOTE: 5.7 square feet = 821 square inches when
Multiplying width time's height of the opening in inches.

Window Well
(Center on double-hung
or glider windows.) 6"
Min. clearance to sides
for wood windows.(typ)



Guardrail recommended
(single rail @ 36" high)
when adjacent to property
line or sidewalk.

