

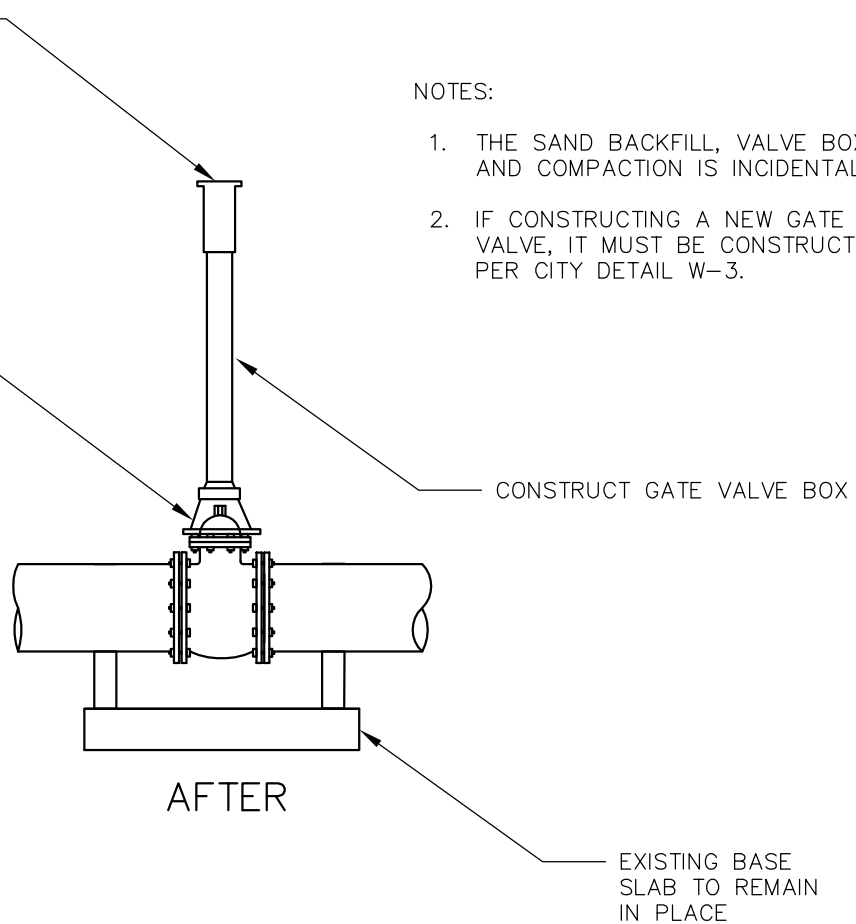
BEFORE

ADJUST GATE VALVE BOX TO 1/4" BELOW TOP OF PAVEMENT

NOTES:

1. THE SAND BACKFILL, VALVE BOX AND COMPACTION IS INCIDENTAL.
2. IF CONSTRUCTING A NEW GATE VALVE, IT MUST BE CONSTRUCTED PER CITY DETAIL W-3.

GATE VALVE ADAPTOR BY ADAPTOR INC. OR APPROVED EQUAL



AFTER