

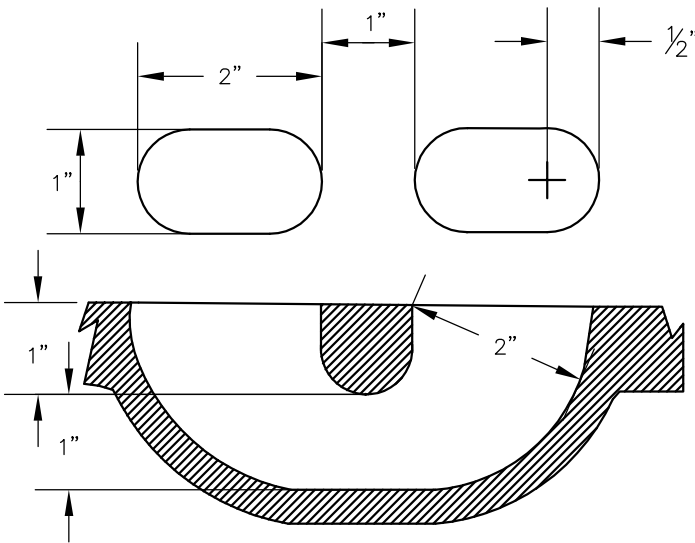
PLATEN LID
R-1733

(2) C.I. LIFT HANDLES

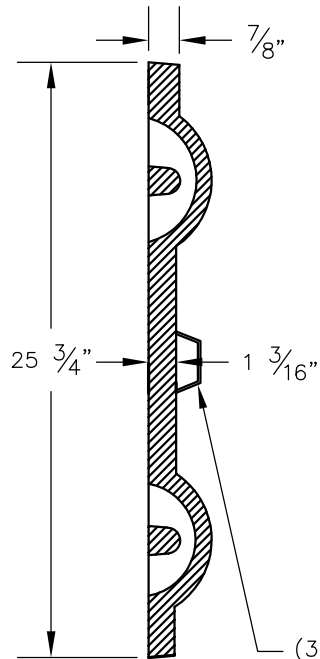
1" HIGH LETTERS RAISED
FLUSH WITH TOP SURFACE



MACH. GROOVE
IN LID SEAT FOR
 $\frac{1}{4}$ " DIA.
POLYISOPRENE
GASKET
40 DUROMETER



LIFT HANDLE



(3) STACKING LUGS
@ 120° APART