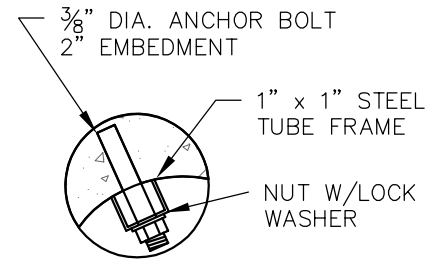
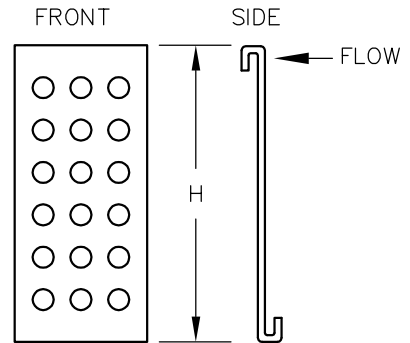


TOP VIEW OF SUMP

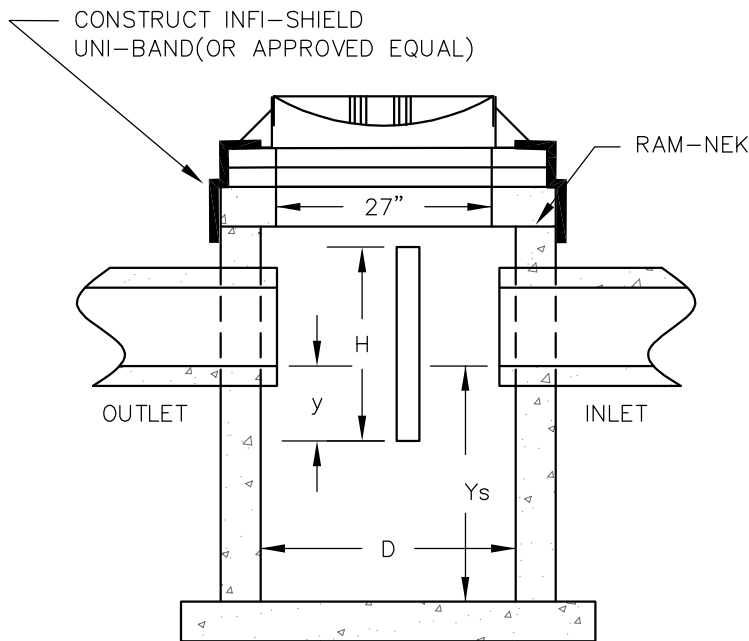


DETAIL A



18" OR 24" WIDTH

SAFL BAFFLE PANEL



SIDE VIEW OF SUMP

d (IN.)	H (IN.)	θ (DEG.)		y (IN.)	Y _s	D
		MIN.	MAX.			
12	34	130	230	12	MIN. 4 FT.	VARIES
15	34	130	230	12		
18	34	130	230	12		
21	44	140	220	12		
24	44	140	220	12		
27	44	140	220	12		
30	54	150	210	12		
36	54	150	210	12		

NOTES:

1. USE NEENAH CASTING NO. R-1733 WITH A SELF SEALING (O-RING GASKET) ONE HOLE LID. LID SHALL READ: STORM SEWER, SEE SS-1.
2. FRAME, GRATE AND CURB BOX TO BE NEENAH FOUNDRY CO. NO. R-3067 TYPE R. USE TYPE V GRATE FOR HIGH FLOW AREAS AND USE TYPE VB GRATE FOR LOW POINTS.
3. HDPE ADJUSTING RINGS ARE REQUIRED (MIN 2-2"; MAX 5-2" HEIGHT). LADTECH GLUE (PER INSTRUCTIONS) SHALL BE APPLIED BETWEEN EACH HDPE ADJUSTING RING. 1/2" CONCRETE GROUT BETWEEN CONCRETE CONE AND HDPE RINGS. IF THE OPENING IS OFFSET FROM THE STRUCTURE CONCRETE RINGS MAY BE REQUIRED BY THE ENGINEER. MINIMUM 1/2" MORTAR BETWEEN CASTING, CONCRETE ADJUSTING RINGS, AND STRUCTURE. (NON-SHRINKING GROUT REQ.) INFI-SHIELD MUST BE INSTALLED IN CONJUNCTION WITH ADJUSTING RINGS AND CASTING ASSEMBLY. DOGHOUSES TO BE GROUTED OUTSIDE AND INSIDE.
4. TOP SLAB TO BARREL SECTION MUST BE SEALED WITH 2 BEADS OF RAM-NEK OR APPROVED EQUAL AND WRAPPED WITH INFI-SHIELD GATOR WRAP.