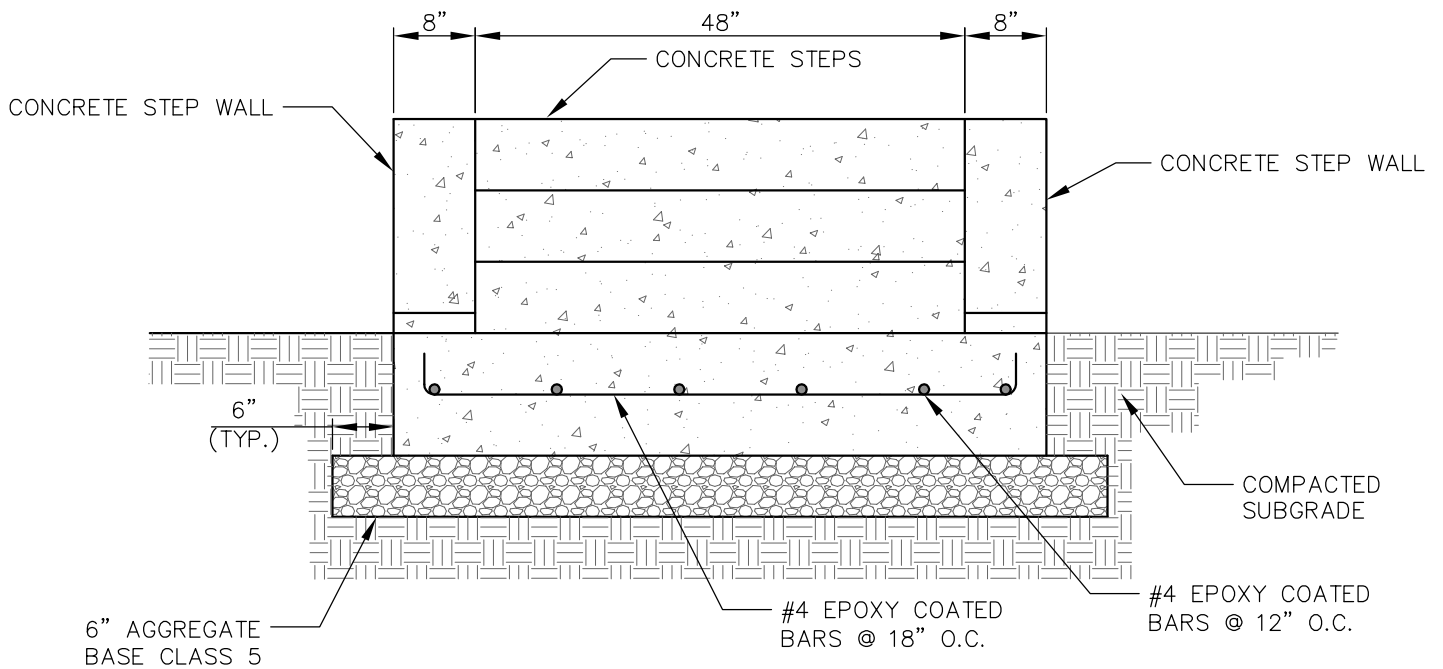


CONCRETE STEP PROFILE



CONCRETE SECTION

NOTES:

1. SEE DETAIL ST-15 FOR HANDRAIL REQUIREMENTS.
2. STEP RISERS HEIGHT SHALL BE 7" MAXIMUM AND 4½" MINIMUM. STEP HEIGHTS SHALL BE EQUIVALENT FOR ENTIRE RUN OF STAIR WELL.
3. STEP TREADS SHALL BE 12"+/- WITH A SLIP RESISTANT BROOM FINISH.
4. RESIDENTIAL – ADD HANDRAIL TO ONE SIDE OF STEPS IF THERE ARE THREE OR MORE RISERS. SEE ST-15 FOR HANDRAIL DETAIL.
5. COMMERCIAL – HANDRAIL REQUIRED ON BOTH SIDES OF STAIRS. SEE ST-15 FOR HANDRAIL DETAIL.
6. ALL CONSTRUCTION AND MATERIALS SHOWN ON THE CONCRETE STEPS DETAILS AND HANDRAIL DETAIL SHALL BE PAID AS BID ITEM 2411, "CONCRETE STEPS."