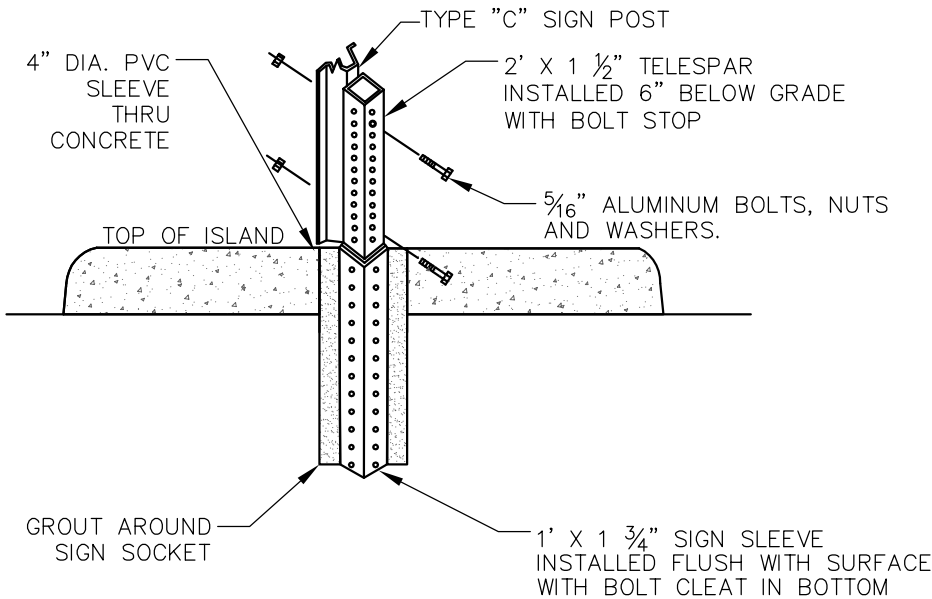
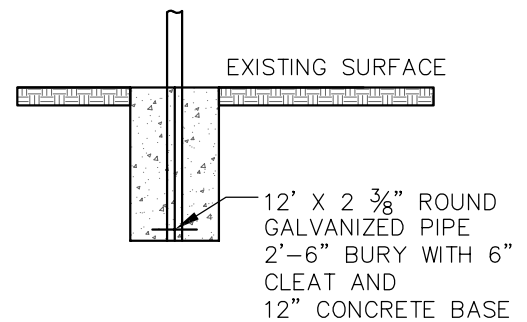


CHANNEL POST
TYPICAL MOUNTING HEIGHT

CHANNEL POST
TYPICAL MOUNTING HEIGHT



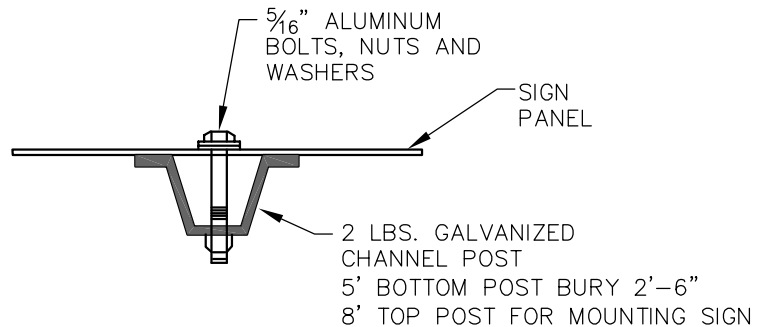
SIGN SOCKET DETAIL



ROUND POST
MOUNTING FOR
STREET SIGNS

NOTES:

1. MOUNTING (PUNCHING CODE) FOR TYPE "C" SIGN PANELS SHALL BE AS INDICATED IN THE STANDARD SIGNS MANUAL UNLESS OTHERWISE SPECIFIED
2. ALL RISER (VERTICAL) "U POSTS" SHALL BE 8' LONG
3. USE ALUMINUM 5/16" BOLTS, WASHERS AND NUTS



CHANNEL POST MOUNTING FOR
TYPE "C" SIGNS